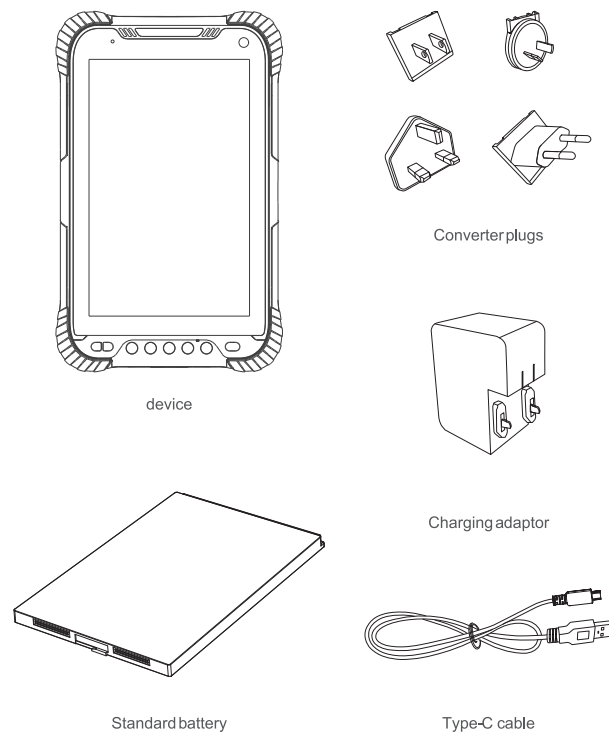
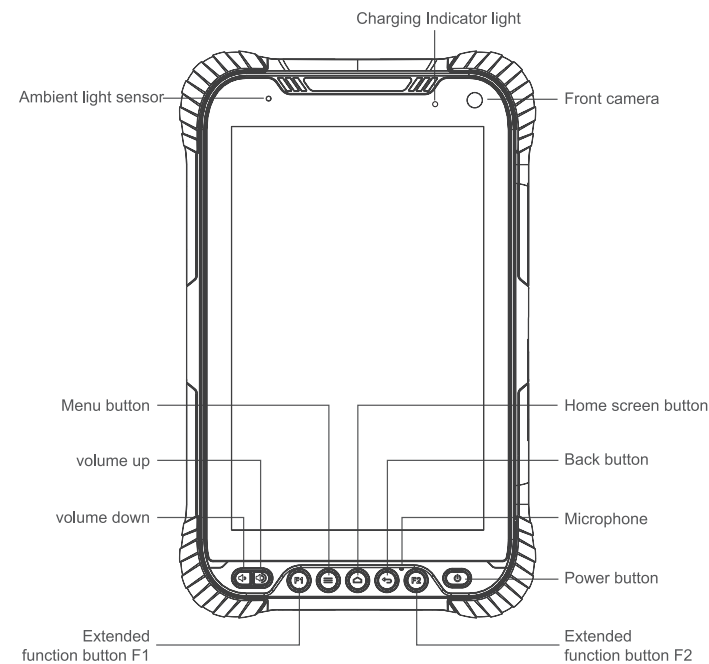


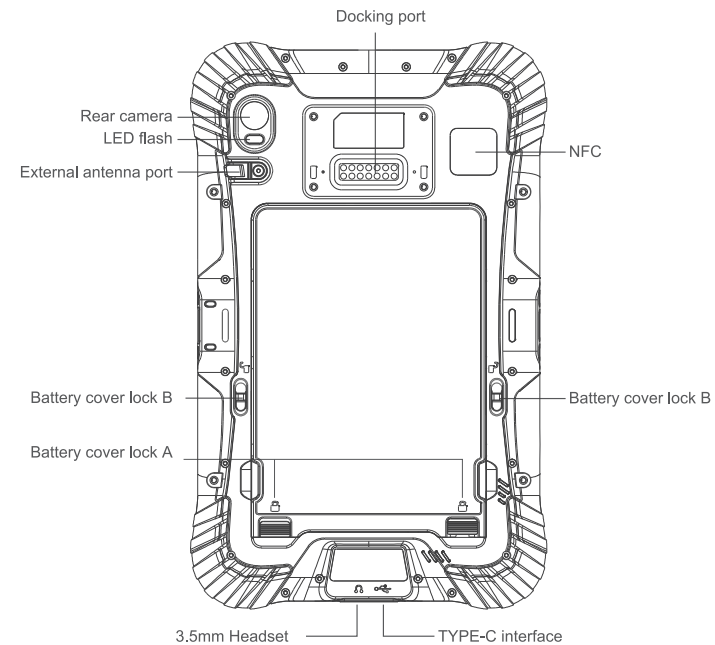
What's in The Box



Appearance overview

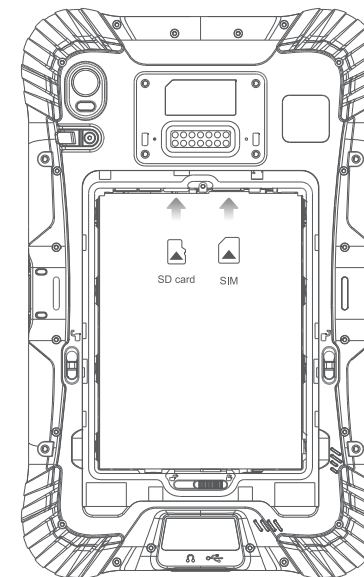


Appearance overview



Sim/micro SD Card

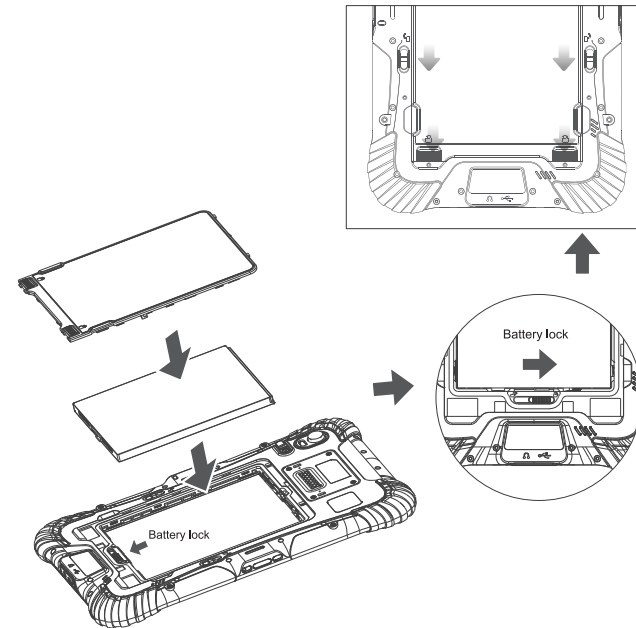
This is how you insert and remove the Nano SIM/micro SD.



Insert Battery

To insert the battery

1. Insert the battery
2. Push the battery lock to the close position
3. Attach the battery cover
4. Push the battery cover lock to the close position



Remove Battery

To remove the battery

1. Power off the device before removing the battery
2. Push the battery cover lock to the open position
3. Detach the battery cover
4. Push the battery lock to the open position
5. Remove the battery

